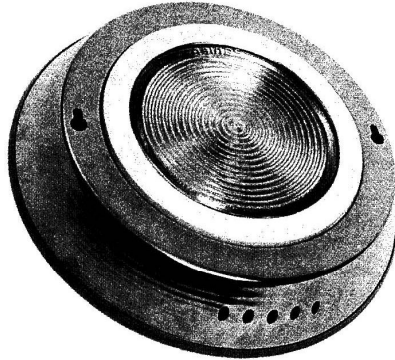
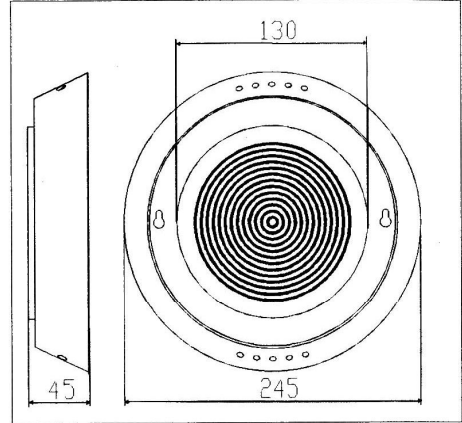


Pahlén

POOL LIGHTING IN STAINLESS STEEL



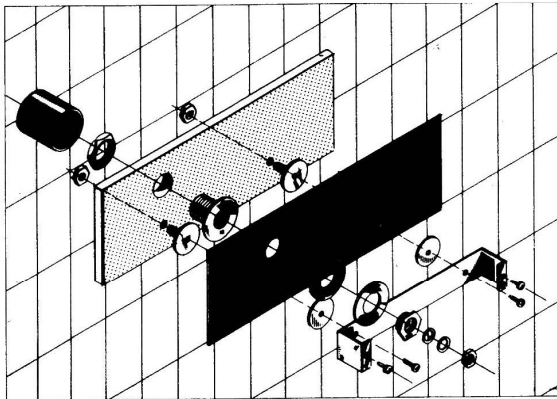
122600



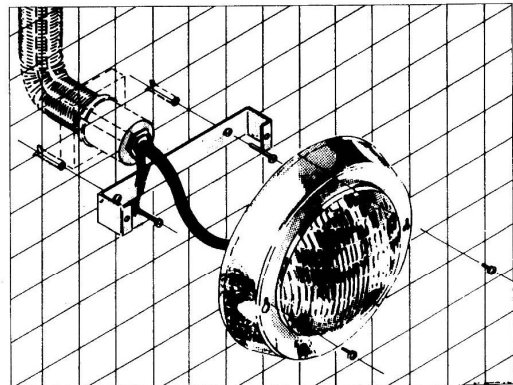
Pahlén light unit model 200 is suitable for the majority of underwater installations such as pools and fountains.

Light unit model 200

- | Item no. | Description |
|----------|---|
| 122600 | Halogen 150 W (2 x 75 W), 12 V, IP48. Manufactured from acid-proof stainless steel AISI 316 with a polished front, reflector, tempered glass and 2 m silicon cable (2 x 2,5mm ²). Fixing kit is not included. |
| 122610 | Same as item no. 122600 but including high temperature cut-out. Fixing kit is not included. |

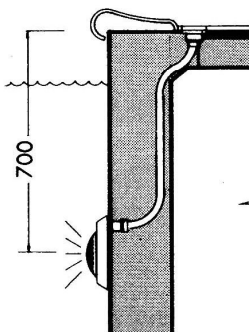


122601



122602

Installation example



Fixing kit for light unit model 200

- | Item no. | Description |
|----------|--|
| 122601 | Kit for liner pools, complete with brackets, screws and watertight cable gland. |
| 122602 | Kit for concrete pools, complete with brackets, screws and watertight cable gland. |