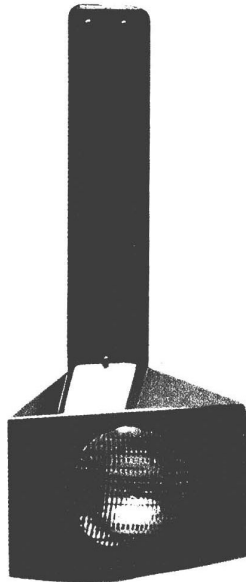


Pahlén

POOL LIGHTING IN STAINLESS STEEL



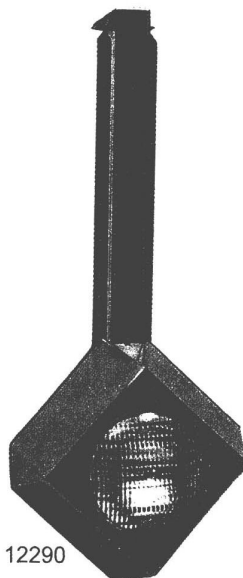
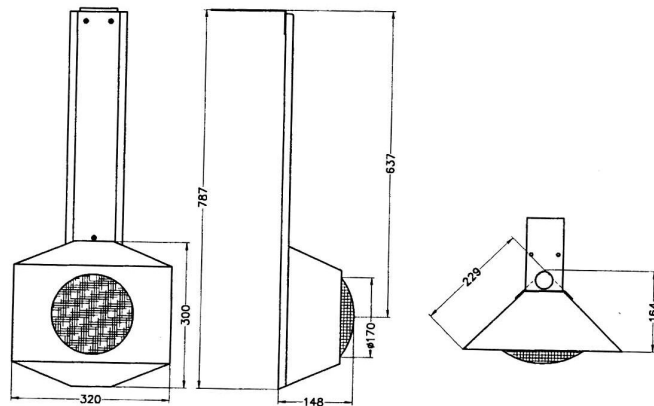
12280

Pahlén corner and wall lights are manufactured from acid-proof stainless steel AISI 316. They are mounted on the inside of the pool wall and are suitable for concrete or liner pools.

The light units are supplied with a 2,5 m connection cable, which is attached to the lamp via a watertight bush.

Corner light 304

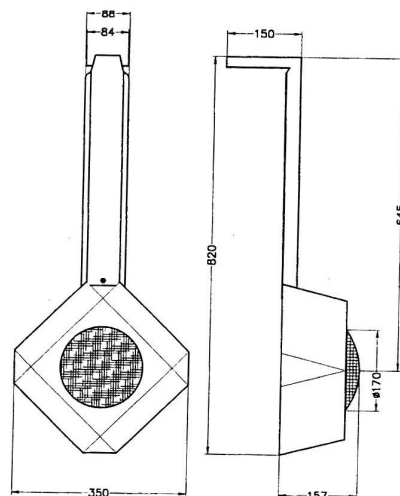
Item no. 12280
Description Light unit 300 W 12 V, IP48, intended for corner mounting. Has a polished front and a polished bracket for fixing under the pool coping.



12290

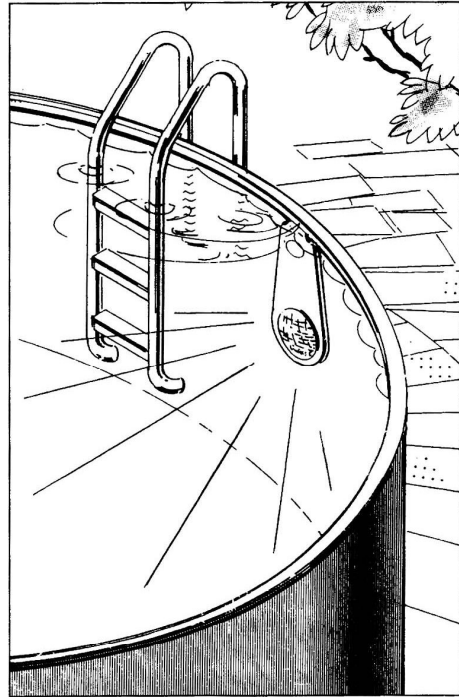
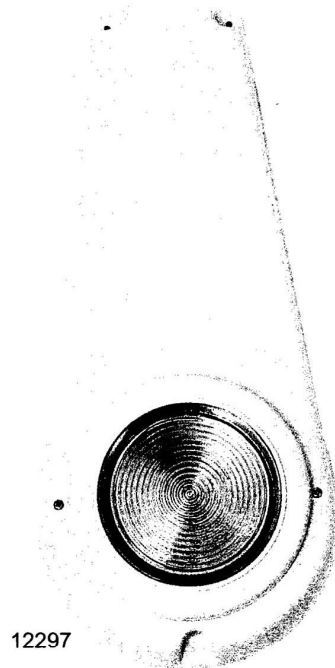
Wall light 303

Item no. 12290
Description Light unit 300 W 12 V, IP48, intended for wall mounting. Has a polished front and a polished bracket for fixing under the pool coping.



Pahlén

POOL LIGHTING



Pahlén wall light model 200 is intended for all types of pools and is easily installed under the pool coping or deck.

Wall light model 200

Item no.	Description
12297	Halogen 150 W (2 x 75 W), 12V, IP48 with a white plastic frame, light unit of acid-proof stainless steel AISI 316 with tempered glass and 2 m silicon cable (2 x 2,5mm ²).
12298	Same as item no. 12297 but including high temperature cut-out.

